



■ Features

- ✚ Nine 12VDC individually fused outputs
- ✚ Circuit Short protection
- ✚ High-temperature protection
- ✚ AC power LED indicator
- ✚ Individual LED's for each output
- ✚ Power ON/OFF switch
- ✚ Unit maintains camera synchronization
- ✚ Easy installation saves time and eliminates costly labor
- ✚ Spare fuses included
- ✚ 2 years warranty

■ Specification

Input Voltage	AC90-264V
Input Voltage Frequency	50/60Hz
Output Specification	
Output Voltage	12VDC+10%
Total Output Current	16.5 A(4CH→1.5A,5CH→2A,meet for different security camera)
Total Outputs	201W
Fuse Type	Glass Fuse
Fuse Rating	1.5 Amps / 250VAC, 2 Amps / 250VAC
Protection	
General Protection	each output has individual fuse and LED indicator, when problem occurs, only affect the individual output, other outputs still working
Circuit Short Protection	when short condition occurs, individual fuse will open the circuit, when condition removed, replacing another new fuse will back to close.
Over-load protection	105-135%hiccup mode, auto-recovery
Over-voltage protection	115-135%,Shut down o/p voltage, re-power on to recover
General Specifications	
Working temperature and humidity	-10℃~+60℃, 20%~80%RH
Store temperature and humidity	-20℃~+85℃,10%~90%RH
Application	
CCTV	Camera, PTZ, IR Illuminators, Video Process Equipment, etc.

■ Shape and installation dimension



■ Manual

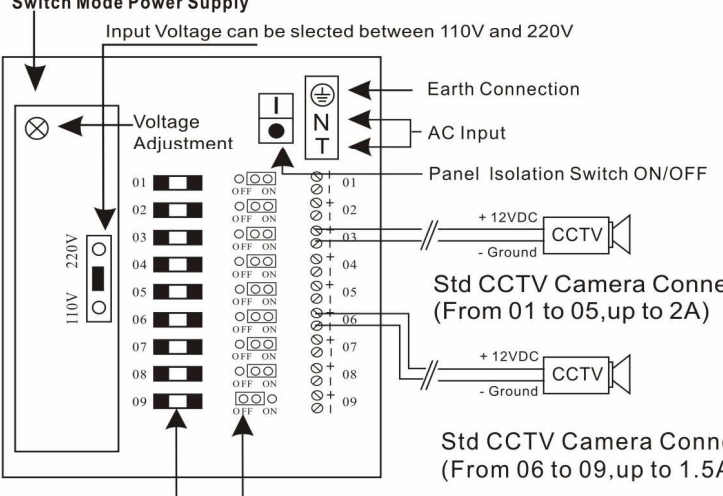
12VDC 9 OUTPUT SWITCH MODE CCTV POWER SUPPLY

MPS-200-9D

Connection Diagram:

Switch Mode Power Supply

Input Voltage can be selected between 110V and 220V



Earth Connection

AC Input

Panel Isolation Switch ON/OFF

Voltage Adjustment

110V 220V

01 OFF ON

02 OFF ON

03 OFF ON

04 OFF ON

05 OFF ON

06 OFF ON

07 OFF ON

08 OFF ON

09 OFF ON

01 +12VDC CCTV

- Ground

Std CCTV Camera Connection (From 01 to 05, up to 2A)

07 +12VDC CCTV

- Ground

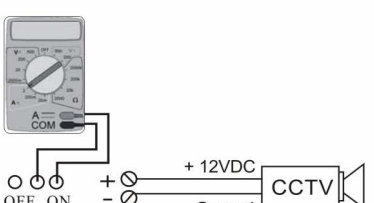
Std CCTV Camera Connection (From 06 to 09, up to 1.5A)

Mulview Technology

To disable a camera output move the jumper link to the off position.

Protection Fuses
(Note: Fuses from 01 to 05 is 2A, from 06 to 09 is 1.5A)

Test & Measurement:



LED Fuse Status Indicator
LED ON = Fuse OK
LED OFF = Fuse Fault

Specifications:

Input Voltage: AC100~120V
AC220~240V

Output Current: 5X2A+4X1.5A fused outlets(18Amax)

Output Power: 200W

Dimensions(mm): 315(L)x220(W)x76(H)

*** For Indoor Use Only**

Multiple View, More attention!